

LTR-GPS FIRMWARE FIELD UPGRADE INSTRUCTIONS

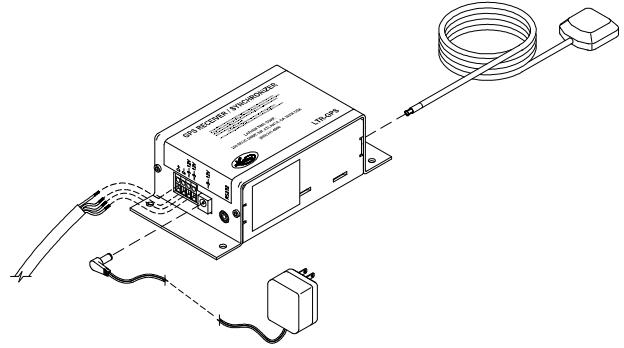
EQUIPMENT NEEDED:

- » IC Extractor (supplied)
- » Firmware Chip (supplied)
- » Small Common Screwdriver (1/8" blade)
- » Small Phillips Screwdriver (#1 or #2)

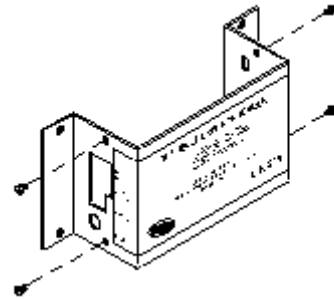
READ THESE INSTRUCTIONS COMPLETELY BEFORE BEGINNING.

1. Disconnect any wires and cabling connected to the LTR-GPS.

Note which wires are connected to which terminal block positions.



2. Remove the four Phillips screws securing the LTR-GPS cover to the base.



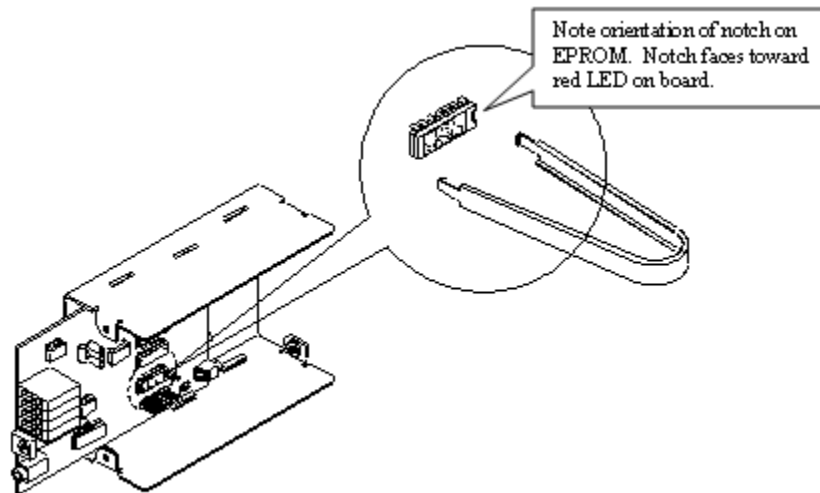
3. Perform the following while grasping top cover by base flange on each side:
 - a. Hold the LTR-GPS just above a table top or flat surface.
 - b. Gently but firmly, press with your thumbs on the top of the cover while pulling the flanges away from each other with your fingers. While doing this allow the base containing the circuit board to fall free onto the surface.



NOTE: Pulling the flanges apart allows the LED, RF connector, terminal block, and jacks to clear the sides of the top cover during removal.

4. Set top cover aside.

5. Remove the existing firmware IC V2.00 (U1) using the extractor. Note the orientation of the IC (Note printing on label.)



6. Install the new firmware IC V2.01 with your finger and thumb noting the orientation. (Note printing on label.)
7. Reinstall the top cover by pulling the flanges apart and installing the 4 screws.
8. Reattach any wires and cables which were disconnected.